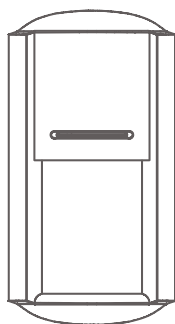
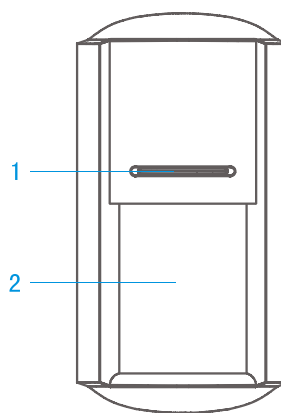


# Outdoor Triple-Tech PIR Motion Detector

## Operation Manual



### Parts List



1. LED indicator
2. Optical lens

### Introduction

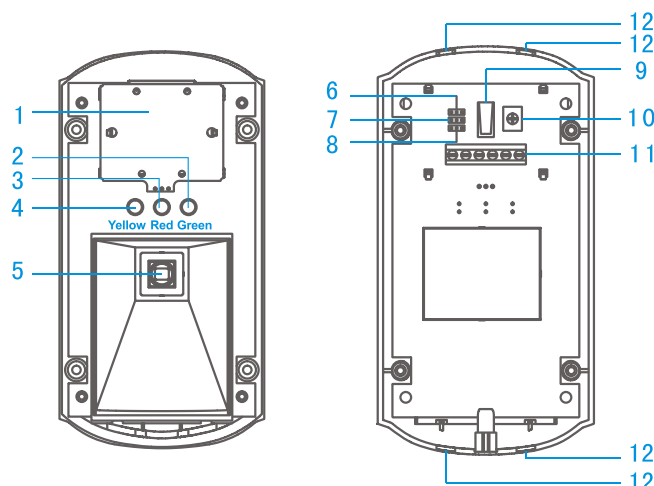
The product is a triple technology detector composed by microwave, passive infrared and artificial intelligence, and it works based on detecting human body's infrared spectrum and microwave Doppler effect. The product uses special optical filter and advanced signal analysis and process technology. It is provided with waterproof function, being suitable for outdoor usage. The product can be applied in banks, warehouses and homes etc.

### Features

- MCU processing
- Pulse count optional
- Special optical filter lens, white light immunity at 10000 lux
- Waterproof function for outdoor environment
- Using Doppler effect and energy analysis
- Microwave using X-Band patch antenna
- Microwave detection range adjustable
- Temperature auto-compensation, avoiding false alarm
- Alarm output N.C./N.O. optional, suitable for different alarm system
- Differ intruder signal from interference signal by intelligence technology
- Insect immunity; Pet below 20kg immunity
- Anti-tamper switch enhances protection.

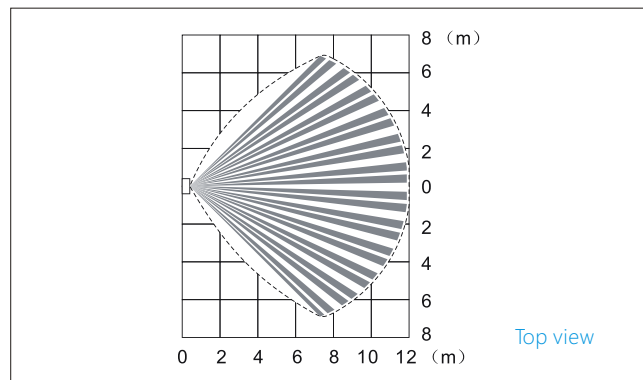
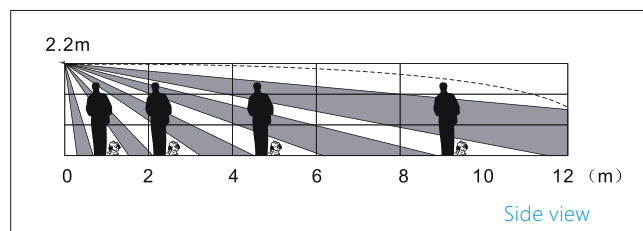
### Technical Specifications

Power Supply: UPS 12V adapter  
 Working Current:  $\leq 30\text{mA}$   
 Detection Scope: 12m/110°  
 Pet Immunity:  $\leq 20\text{kgs}$   
 Microwave Frequency: 10.525GHz  
 Operating Temperature:  $-10^{\circ}\text{C}$ - $55^{\circ}\text{C}$   
 Dimension: 153 x 80 x 58mm



1. Microwave module
2. Green LED
3. Red LED
4. Yellow LED
5. Infrared sensor
6. P.COUNT jumper
7. RELAY jumper
8. LED jumper
9. Anti-tamper switch
10. Microwave potentiometer
11. Terminal block
12. Outlet

### Detection Scope



## Usage

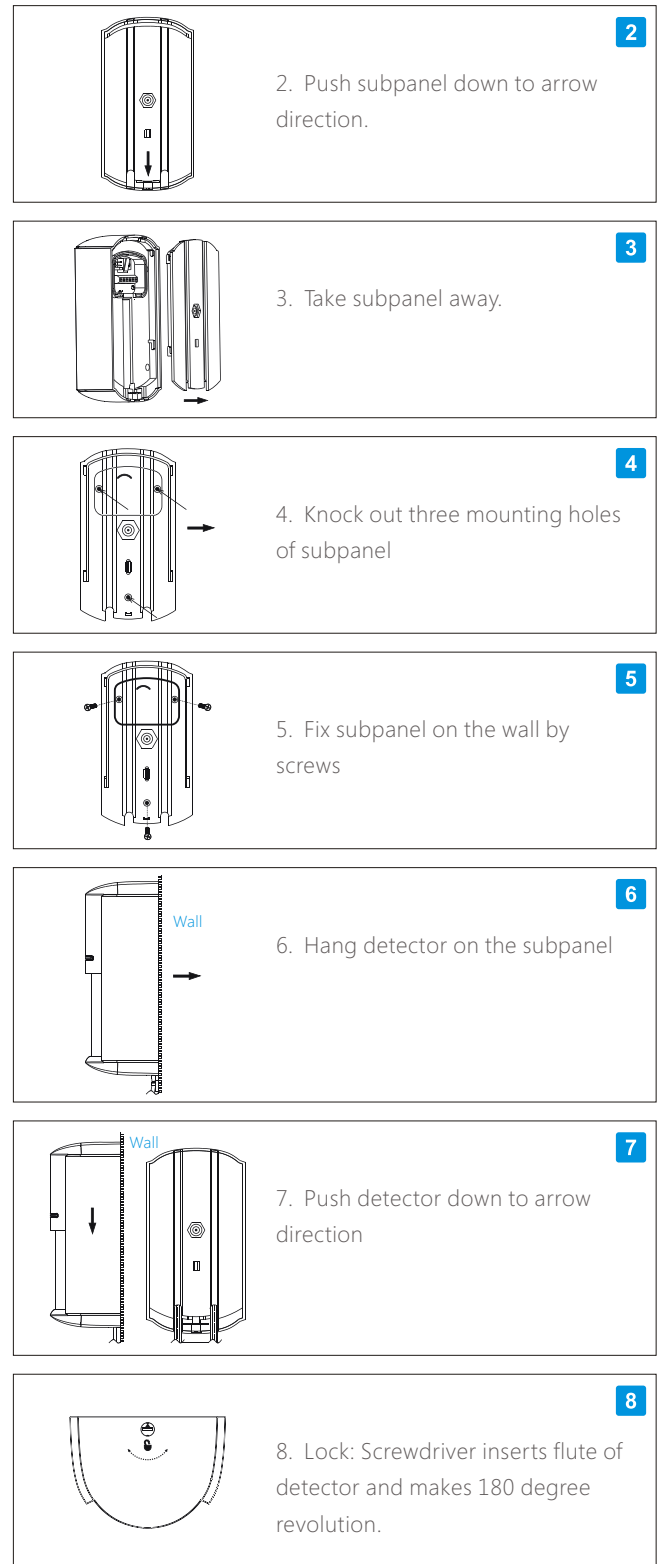
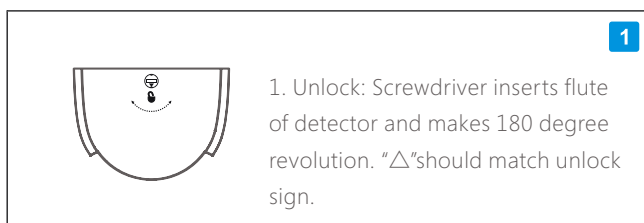
1. Connect 12V DC power, three indicators flashing, and detector enters self-checking status, self-checking time is about 60 seconds; indicators stop flashing, which means detector enters normal monitoring status.
2. Testing by normal walk speed in detection range, at this time relevant indicator flashing. Green indicator on: infrared triggering; Yellow indicator on: microwave triggering; Red indicator on: infrared and microwave triggering together and detector enters alarm status.
3. LED jumper controls LED indicator to indicate or not, and it does not effect normal work of detector. LED indicator is on in factory setting.
4. Microwave potentiometer is used to adjust microwave detection range. User can adjust according to requirement. Set maximal detection range in factory setting.
5. P.COUNT jumper JP1(1P/2P) is sensitivity jumper, 1P(1&2) is high sensitivity, supplying maximal detection range; 2P(2&3) is normal sensitivity, supplying maximal anti-interference capability. Set 1P in factory setting.
6. RELAY jumper JP2(N.C./N.O.) is output relay jumper, used to set alarm output status, choosing different output according to different type of security system. Choose N.C.(1&2) for normal closed status; choose N.O.(2&3) for normal open status. Set N.C. in factory setting.

## Installation Notice

1. Do not install detector in the place as followed:  
The area where vehicle pass through.  
The position easy to be blew by wind, such as swing sign, tree etc.
2. Avoid proximity to objects which is easy to cause temperature change.
3. Avoid any object in front of the lens of detector.
4. Confirm installation place steadily and no shake.
5. Connect power after finishing all wire connection and checking.
6. Do not put redundant wires in detector.

## Installation

Select a position where the intruder is prone to pass through. It is recommended to mount at the height of 2.2m from the ground.



## Notices

1. Please mount and use according to this manual, and do not touch the surface of infrared sensor. If there is dirt on surface, please use soft cloth with alcohol to clean after turning off power.
2. Yearly testing is required to ensure proper operation of this detector.
3. Though this product can reduce accident, it do not ensure perfectly safe. For your security, you should enhance security consciousness in daily life besides using this product.